



closet solutions

Richelieu

MILANO

Beautiful simplicity! This contemporary **aluminum design** will enhance even the most challenging projects.

With one **anodized aluminum** frame you can create many different pull-outs: pant racks, storage bins, tie and belt rack or simply add a matching board for an **elegant** pull out shelf. Frames, soft closing drawer slides and accessories are sold separately.

Richelieu





a aluminum frame for a cabinet of 900 mm (35^{7/16}) wide (slide # 130050180 is required for installation)

N° 130000010 | WxDxH 882x505x43mm (34^{3/4}"x19^{7/8}"x1^{11/16}")



b fabric basket, grey, set of 2 (frame # 130000010 and slide # 130050180 are required for installation)

N° 130900100 | WxDxH 440x408x300mm (17^{5/16}"x16^{1/16}"x11^{13/16}")



c aluminum rack for pants and skirts (frame # 130000010 and slide # 130050180 are required for installation)

N° 131000010 | WxDxH 817x440x20mm (32^{3/16}"x17^{5/16}"x13/16")



aluminum rack for pants (frame # 130000010 and slide # 130050180 are required for installation)

N° 130100010 | WxDxH 817x440x20mm (32^{3/16}"x17^{5/16}"x13/16")



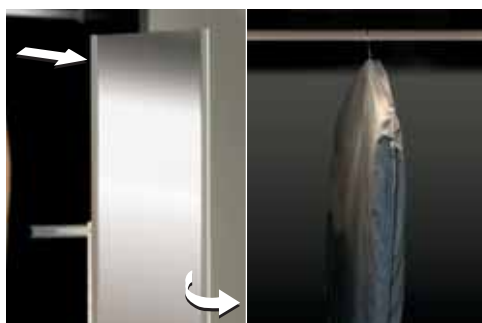
d metal drawers, aluminum finish (frame # 130000010 and slide # 130050180 are required for installation)

N° 130400010 | WxDxH 817x440x50mm (32^{3/16}"x17^{5/16}"x2")
 N° 130500010 | WxDxH 817x440x80mm (32^{3/16}"x17^{5/16}"x3^{1/8}")
 N° 130600010 | WxDxH 817x440x130mm (32^{3/16}"x17^{5/16}"x5^{1/8}")



e wood partitions, aluminum finish (tray # 130400010, frame # 130000010 and slide # 130050180 are required for installation)

N° 130700000 | WxDxH 817x440x50mm (32^{3/16}"x17^{5/16}"x2")



f mirror with aluminum frame, slides out and rotates, 40 mm (1^{5/8}") thickness

N° 131100195 |
 WxH 300x1400mm (13"x55^{1/8}")

g garment bag, grey finish

N° 131600100



h dovetailed drawers, available in maple or oak by special order



Please refer to page 13 of this brochure for rod options.

SOHO

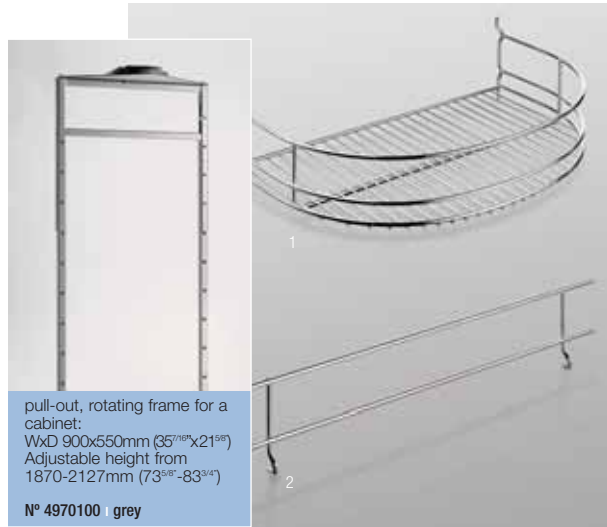
Chrome is back!

A unique system designed for a wardrobe in the home or office.

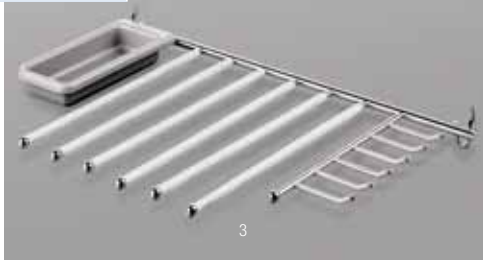
This system features a **rotating storage** unit that you configure to your specifications. All pull-outs come with spacers to insure the units clear the hinges on the doors.

Richelieu

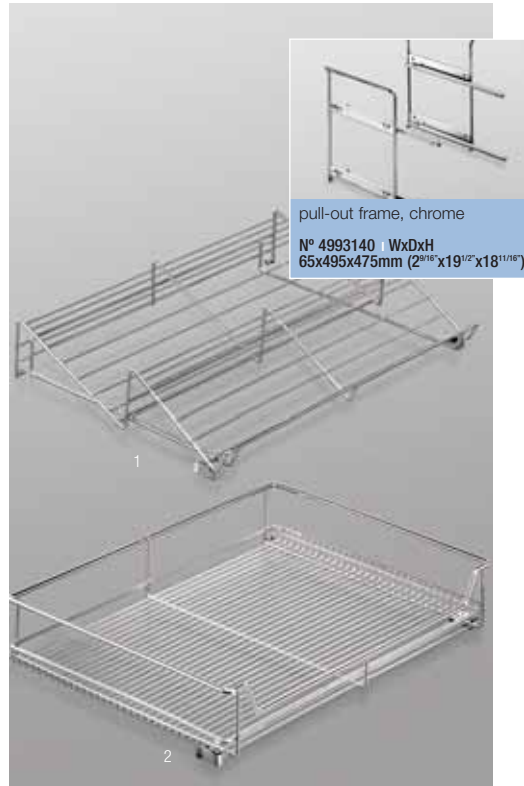




pull-out, rotating frame for a cabinet:
WxD 900x550mm (35^{1/8}"x21^{5/8}")
Adjustable height from
1870-2127mm (73^{5/8}"-83^{3/4}")
N° 4970100 | grey



a 1 tray, chrome
N° 4973140 | WxDxH 429x530x126mm (16^{7/8}"x20^{7/8}"x5")
2 guard for 4973140 basket, chrome
N° 4974140 | L x H 515x100mm (20^{1/4}"x4")
3 tie and pant rack, chrome
N° 4971140 | WxDxH 333x537x50mm (13^{1/8}"x21^{1/8}"x2")

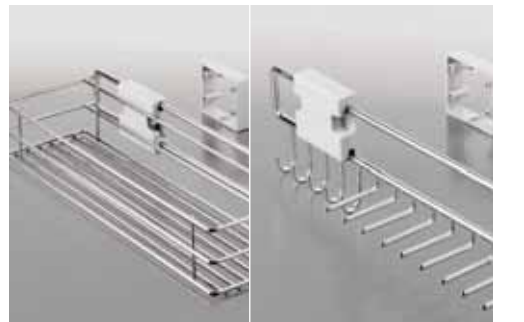


pull-out frame, chrome
N° 4993140 | WxDxH
65x495x475mm (2^{5/8}"x19^{1/2}"x18^{11/16}")

b 1. shoe rack for 4993140 frame, chrome
N° 4996140 | WxDxH 675x510x110mm (26^{5/8}"x20^{11/16}"x4^{5/16}")
2. basket for 4993140 frame, chrome
N° 4995140 | WxDxH 680x500x110mm (26^{3/4}"x19^{11/16}"x4^{5/16}")



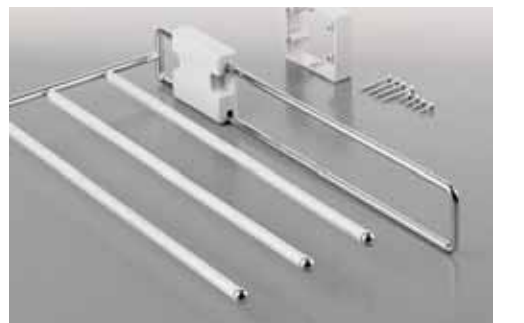
c pull-out tie and belt rack with small trays, chrome
N° 4986140 | WxDxH 200x480x1270mm (7^{7/8}"x18^{7/8}"x50")



d pull-out wire basket, chrome
N° 4960140 | WxDxH
160x452x95mm (6^{5/16}"x17^{13/16}"x3^{3/4}")
pull-out belt and tie rack, chrome
N° 4963140 | WxDxH
74x455x118mm (3"x18"x4^{5/8}")



e pull-out pant rack, white
N° 93601230 | WxDxH 465x505x100mm (18^{1/8}"x19^{7/8}"x4")



f pull-out pant rack, chrome
N° 4961140 | WxDxH 222x455x72mm (8^{5/8}"x18"x2^{13/16}")

LOGO

The **versatility** of “Logo” allows you to create a **wide range** of designs for closet, home entertainment, office, kitchen or retail displays.

This **flexible system** consists of **solid aluminum extrusions** that can be mounted from floor to ceiling or from floor to wall. Logo offers a range of brackets to mount shelves, case goods or closet rods. Adapters are also available for a full range of closet accessories.





adjustable leveler,
aluminum finish

N° 715260180 |
∅xH 60x55mm (2^{3/8}"x2^{1/8}")



wall and ceiling connector,
aluminum finish

N° 715155180 |
WxD 25x55mm (1"x2^{1/8}")



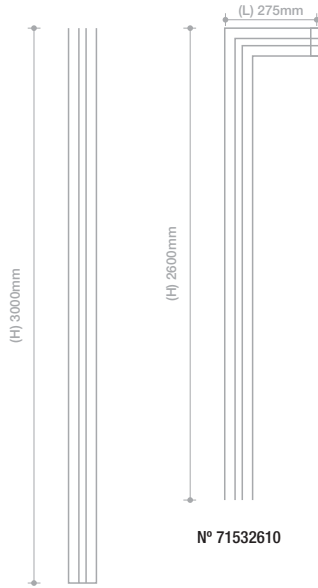
aluminum extrusion, straight
(connector # 715155180 and leveler # 715260180
are required for installation)

N° 71503010 | WxDxH 25x55x3000mm (1"x2^{1/8}"x118")



a aluminum extrusion, 90 degrees
(connector # 715155180 and leveler # 715260180
are required for installation)

N° 71532610 | WxDxH 275x55x2600mm (10^{13/16}"x2^{1/8}"x102^{3/8}")



N° 71503010



wood shelf support with adjustable angle, aluminum finish

N° 715450010 | W 192mm (7^{9/16}")



support for oval rods, aluminum finish
N° 715915180 | WxH 46x48mm (1^{13/16}"x1^{7/8}")

ridged oval rod, aluminum finish
N° D030201210 | L 3657mm (144")



cabinet support, aluminum finish

N° 715840180 | WxDxH 42x55x68mm (1^{5/8}"x2^{13/16}"x2^{3/16}")

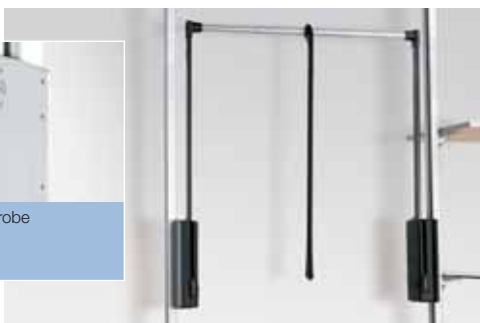


glass shelf support, aluminum finish

N° 64019210 | W 192mm (7^{9/16}")



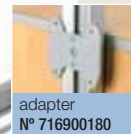
pull-out wardrobe
lift adapter
N° 716800180



b pull-out wardrobe lift, black and aluminum
N° 6008390 | capacity: 10 kg (22 lb)
adjustable in width from 600-830mm (23^{5/8}"-32^{1/16}")
N° 8311590 | capacity: 10 kg (22 lb)
adjustable in width from 830-1150mm (32^{11/16}"-45^{1/4}")



c pull-out folding rack for
skirts, black and aluminum
N° 1655090 | L 480mm (18^{7/8}")



adapter
N° 716900180



d tie rack and storage, black
and aluminum
N° 1645090 | L 480mm (18^{7/8}")

* Please see pages 12 to 19 for assembly items such as:
slides, supports and rods.

UNO

Affordable convenience. This great looking, functional system will suit any budget

Uno is a system of pull out accessory drawers mounted on ball bearing slides. The full range of accessories consist of pull out pant, shoe and storage drawer in wire, rattan and wood for 600mm, 800mm and 900mm wide cabinets. Drawer units come complete and ready to install.

Richelieu





a pull-out wardrobe lift with stopper, aluminum and black
 for cabinet widths:
 N° 93805510 | capacity: 6kg (13.2lb) | 600-800mm (23^{5/8}"-31^{1/2}")
 N° 93805810 | capacity: 10kg (22lb) | 800-1100mm (31^{1/2}"-43^{5/16}")



b pull-out hanger support, ball-bearing slides, aluminum finish
 N° 93800110 | WxDxH 50x470x123mm (1^{5/16}"x18^{1/2}"x4^{13/16}")



c pull-out aluminum wire drawer, on ball-bearing slides extending 360 mm (14^{3/16}")
 N° 93806010 | WxDxH 564x510x156mm (22^{3/16}"x20^{1/16}"x6^{1/16}")
 N° 93808010 | WxDxH 764x510x156mm (30^{1/16}"x20^{1/16}"x6^{1/16}")
 N° 93809010 | WxDxH 864x510x156mm (34^{1/8}"x20^{1/16}"x6^{1/16}")



d pull-out aluminum wire drawer for shoes, ball-bearing slides extending to 360 mm (14^{3/16}")
 N° 93856010 | WxDxH 564x510x211mm (22^{3/16}"x20^{1/16}"x8^{5/16}")
 N° 93858010 | WxDxH 764x510x211mm (30^{1/16}"x20^{1/16}"x8^{5/16}")
 N° 93859010 | WxDxH 864x510x211mm (34^{1/8}"x20^{1/16}"x8^{5/16}")



e pull-out aluminum clothes rack, ball-bearing slides extending to 360 mm (14^{3/16}")
 N° 93826010 | WxDxH 564x510x87mm (22^{3/16}"x20^{1/16}"x3^{7/16}")
 N° 93828010 | WxDxH 764x510x87mm (30^{1/16}"x20^{1/16}"x3^{7/16}")
 N° 93829010 | WxDxH 864x510x87mm (34^{1/8}"x20^{1/16}"x3^{7/16}")



f pull-out rattan basket, aluminum frame, on ball-bearing slides extending 360 mm (14^{3/16}")
 N° 93806000 | WxDxH 564x510x250mm (22^{3/16}"x20^{1/16}"x9^{13/16}")
 N° 93808000 | WxDxH 764x510x250mm (30^{1/16}"x20^{1/16}"x9^{13/16}")
 N° 93809000 | WxDxH 864x510x250mm (34^{1/8}"x20^{1/16}"x9^{13/16}")



g painted MDF drawer on pull-out aluminum frame, ball-bearing slides extending to 360 mm (14^{3/16}")
 N° 93860002 | WxDxH 564x510x150mm (22^{3/16}"x20^{1/16}"x5^{7/16}")
 N° 93880002 | WxDxH 764x510x150mm (30^{1/16}"x20^{1/16}"x5^{7/16}")
 N° 93890002 | WxDxH 864x510x150mm (34^{1/8}"x20^{1/16}"x5^{7/16}")



h pull-out tie and belt rack, black
 N° 93831190 | WxDxH 90x508x87mm (3^{9/16}"x20^{3/16}"x3^{7/16}")
i pull-out small item trays, black
 N° 93831590 | WxDxH 130x508x87mm (5^{1/8}"x20^{3/16}"x3^{7/16}")

* Please see pages 12 to 19 for assembly items such as: slides, supports and rods.

PRACTICAL

Richelieu





slide rail, steel
 N° 875230 · 2489mm (98")
 slide cover, white
 N° 883230 · 2m (78^{3/4})
 wall-mounted slide support,
 white
 N° 8041630



c

e



a pull-out shelves

1. aluminum shelf guard, grey
 N° ZRG1000U10 · L 1000mm (39^{3/8}), tube
 N° ZTU00Z0100 · H 83mm (3^{1/4}), double corner
 N° ZTU00D0100 · H 133mm (5^{1/4}), triple corner
 2. aluminum shelf guard, cream white
 N° ZRG1000U34 · L 1000mm (39^{3/8}), tube
 N° ZTU00Z034 · H 83mm (3^{1/4}), double corner
 N° ZTU00D034 · H 133mm (5^{1/4}), triple corner
 3. with PVC shelf guard, white
 N° 603140-30 · L 2440mm (96"), contour moulding
 N° 6085130 · H 110mm (4^{3/8}), angle piece
 4. with metal guard, white
 N° 8301-30 · LxH 2110x120mm (83"x4^{3/4}), metal extrusion
 N° 8302-30 · LxH 2110x160mm (83"x6^{5/8}), metal extrusion
 N° 0017-30 · plastic corner
 N° 0002-30 · screw-in attachments
- shelf slides, white
 N° 10235030 · L 350mm (13^{3/4})
 N° 10240030 · L 400mm (15^{3/4})
 N° 10245030 · L 450mm (17^{11/16})
 N° 10250030 · L 500mm (19^{11/16})
 N° 10255030 · L 550mm (21^{5/8})



b slide options

Upper drawer is a metal box system
 Lower drawer is a full extension ball bearing slide.
 Consult section 4 of the Richelieu catalogue to see
 our complete range of slide solutions.



c tip-out clothes hamper, chrome

N° 4056140 · WxDxH 238x285x4820mm (9^{3/8}"x11^{1/8}"x16^{5/8}")
 N° 4058140 · support for clothes hamper



toe-kick clip, zinc finish

N° 23502G



e cabinet leveler with head, black

N° 4501090 · H 100mm (4")



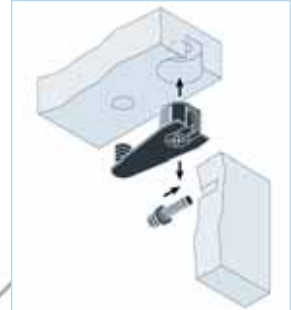
d adjustable shoe rack, black

N° 56100180 · DxH 221x102mm (8^{11/16}"x4")
 width adjustable from 560-1000mm (22"x39^{5/8}")

*

Please see pages 12 to 19 for assembly items such as: slides, supports and rods.

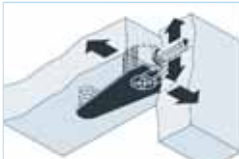
ASSEMBLY



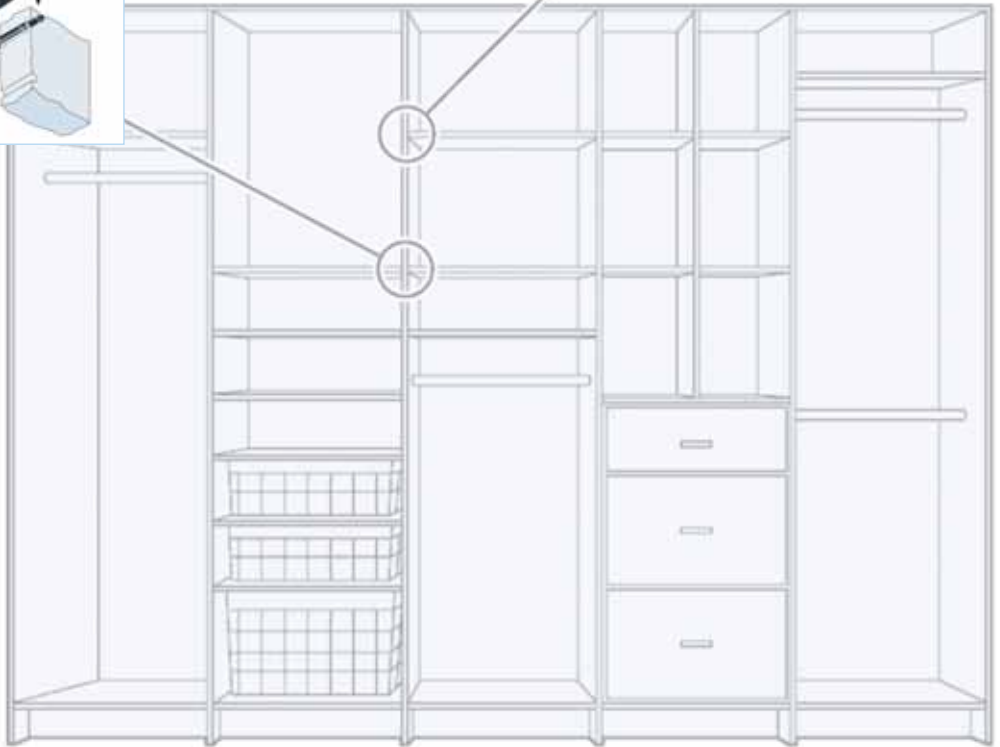
The housings are simply pressed into the material.



The dowels easily slip into the mounting holes. The operation can be repeated without damaging surfaces.



Locking the cam places pressures on the casing and the dowel, resulting in highly reliable installation.



screw-in dowel with euro-style screw, zinc

N° 6406 | Ø 5mm

The 'Quickfit' dowel can be inserted or removed without any tools, thereby resulting in efficient quality production.

N° 6408 | Ø 5mm



end dowel for 16 mm panels

N° 6412 | Ø 5mm

double dowel for 16 mm panels

N° 6414 | Ø 5mm



round housings for panels

16mm (5/8") N° 643130 | white,
N° 643150 | beige
N° 643190 | black
19mm (3/4") N° 643330 | white

extended housings for panels

16mm (5/8") N° 643930 | white
19mm (3/4") N° 644130 | white

SUPPORTS & RODS



central support for
25102010 and 251020140

N° 86700010 aluminium
N° 86700140 chrome

closed end support for
25102010 and 251020140

N° 85700010 aluminium
N° 85700140 chrome



rectangular rod

WxDxH 2400x10x25mm (94^{1/2}"x3/8"x1")
N° 25102010 aluminium
N° 25102140 chrome



support for oval rods,
chrome

N° 15103140

curved oval rod section,
chrome

N° 16603140



support for oval rods

N° 7837180 nickel
N° 7839180 dowel, nickel
N° 784730 white

oval rod

WxDxH 3000x15x30mm
(118"x9/16"x1^{3/16})
N° 1703140 chrome
N° 170328180 nickel



support for oval rods,

N° 160A30 white
N° 160A90 black

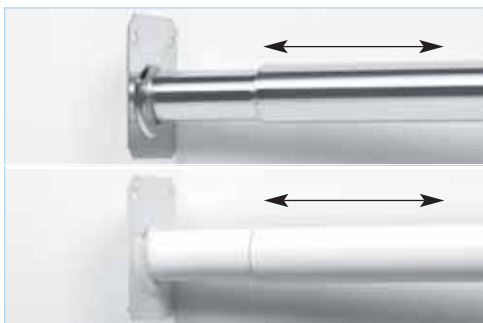
support for oval rods,

N° 83390510 aluminium
N° 7839185 dowel, satin nickel



ridged oval rod,

LxDxH 3657x15x30mm (144"x9/16"x 1^{3/16})
N° D030201210 satin aluminium



telescopic wardrobe rod
457-762mm (18"-30") N° 18302G, zinc N° 183030, white
762-1219mm (30"-48") N° 30482G, zinc N° 304830, white
1219-1829mm (48"-72") N° 48722G, zinc N° 487230, white
1829-2438mm (72"-96") N° 72962G, zinc N° 729630, white
2438-3048mm (96"-120") N° 96122G, zinc N° 961230, white



open support for
cylindrical rod

N° 8334140 Ø 27mm (1^{1/8}")
N° 1223140 Ø 33mm (1^{3/16}")

closed-end support for
cylindrical rod

N° 8332140 Ø 27mm (1^{1/8}")
N° 1225140 Ø 33mm (1^{3/16}")



central support for
cylindrical rod, chrome

N° 37030140

cylindrical metal rod, chrome

Ø27mm (1^{1/8}")
N° 122108140 2438mm (96")
N° 122112140 3657mm (144")
Ø33mm (1^{3/16}")
N° 122208140 2438mm (96")
N° 122212140 3657mm (144")

ACCESSORIES



pull-out wardrobe lift, aluminum and black

N° 65115180 capacity: 5kg (11lb)
for interior widths from
650-1150mm (25^{9/16}"-45^{1/4}") H 880mm (34^{5/8}")



pull-out wardrobe lift with smooth
damping action, aluminum and grey
N° 93805110 Capacity: 7kg (15.4lb),
interior width from 600-800mm (23^{5/8}"-31^{1/2}")
N° 93805210 Capacity: 12kg (26.4lb)
interior width from 800-1100mm (31^{1/2}"-43^{5/16}")



pull-out wardrobe lift with stopper, aluminum and black
N° 93805510 Capacity: 6kg (13.2lb),
interior width from 600-800mm (23^{5/8}"-31^{1/2}")
N° 93805810 Capacity: 10kg (22lb)
interior width from 800-1100mm (31^{1/2}"-43^{5/16}")



pull-out wire belt and tie rack, ball-bearing slide, aluminum

N° 93800210 WxDxH 192x470x123mm (7^{9/16}"x18^{1/2}"x4^{13/16}")



pull-out wire belt and tie rack, ball-bearing slide, aluminum

N° 93803510 WxDxH 140x508x87mm (5^{1/2}"x20"x3^{7/16}")



pull-out belt and tie rack, ball-bearing
slides, black

N° 93831190 WxDxH 90x508x87mm (3^{9/16}"x20"x3^{7/16}")



pull-out belt and tie double rack, ball-bearing slide, black

N° 93831290 WxDxH 110x508x87mm (4^{5/16}"x20"x3^{7/16}")



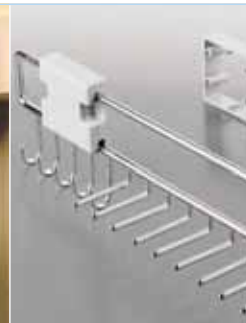
pull-out belt rack and tray for small items, ball-bearing
slides, black

N° 93831490 WxDxH 130x508x87mm (5^{1/8}"x20"x3^{7/16}")



tie rack posts
Ø 3mm, L 50mm (2")

N° 150010140 chrome
N° 150010130 brass
sold by the unit



pull-out belt and tie rack,
chrome

N° 4963140 WxDxH
74x455x118mm (2^{15/16}"x18"x4^{9/8}")



tie and belt rack, white

N° 1150030 WxH
352x40mm (13^{7/8}"x1^{9/16}")



rotating tie rack, chrome

N° 5005140 WxDxH
255x75x305mm (10^{1/16}"x3"x12")



pull-out wire skirt and pant rack, ball-bearing slide, aluminum

N° 93800310 | WxDxH 345x470x123mm (13^{9/16}"x18^{1/2}"x4^{13/16}"



pull-out and folding wire skirt and pant rack, ball-bearing slide, aluminum

N° 93803710 | WxDxH 250x508x87mm (9^{15/16}"x20"x3^{7/16}"



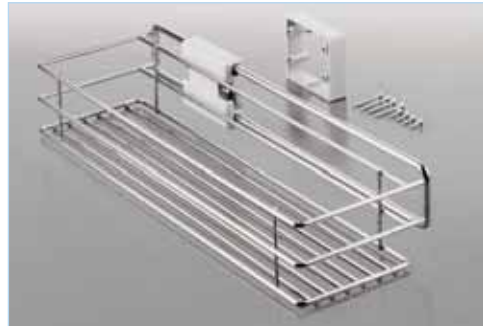
pull-out pant rack, white

N° 93601230 | WxDxH 465x505x100mm (18^{5/16}"x19^{7/8}"x3^{15/16}"



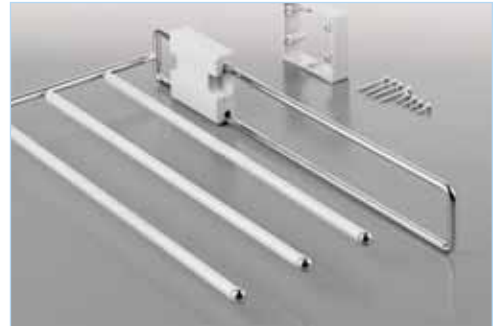
pull-out trays for small items, black

N° 93831590 | WxDxH 130x508x87mm (5^{1/8}"x20"x3^{7/16}"



pull-out wire basket, chrome

N° 4960140 | WxDxH 160x452x95mm (6^{5/16}"x17^{13/16}"x3^{3/4}"



pull-out wire pant rack, chrome

N° 4961140 | WxDxH 222x455x72mm (8^{3/4}"x17^{15/16}"x2^{13/16}"



belt rack, chrome

N° 1077140 | WxDxH 57x350x30mm (2^{1/4}"x13^{3/4}"x1^{3/16}"



sliding wire support for clothes, ball-bearing slides, aluminum

N° 93800110 | WxDxH 50x470x123mm (2"x18^{1/2}"x4^{13/16}"



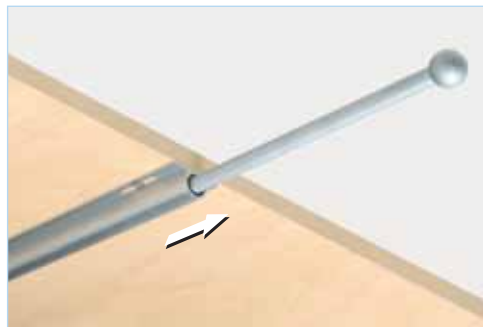
pull-out hanger support, chrome

N° 5003140 | WxDxH 40x242x285mm (1^{9/16}"x9^{1/2}"x11^{1/4}"



pull-out clothes rack, nickel

N°131400195 | Ø 20mm (13/16") L 90mm (3^{9/16}"



clothes rack

L 324mm (12^{3/4}")
 N° 80PC chrome
 N° 80PB brass
 N° 80SC satin chrome



rotating clothes hook, nickel

N° 131500195 | Ø 50mm (2") L 105mm (4^{1/8}"

PRACTICAL ADD-ONS



chrome guard for shelf

N° 8802140 WxH 348x39mm (13^{11/16}"x1^{9/16}")
 N° 8803140 398x39mm (15^{11/16}"x1^{9/16}")
 N° 8805140 548x39mm (21^{9/16}"x1^{9/16}")



waste basket, pedal-operated, 16 litres, stainless steel

N° 6360170 WxDxH 430x290x470mm (17"x11^{7/16}"x18^{1/2}")



waste basket, pedal-operated, 16 litres, stainless steel

N° 6371170 WxDxH 430x370x560mm (17"x14^{9/16}"x22^{11/16}")



adjustable shoe rack, black

N° 56100180 DxDH
 221x102mm (8^{11/16}"x4"),
 width adjustable from
 560-1000mm (22"-39^{3/8}")

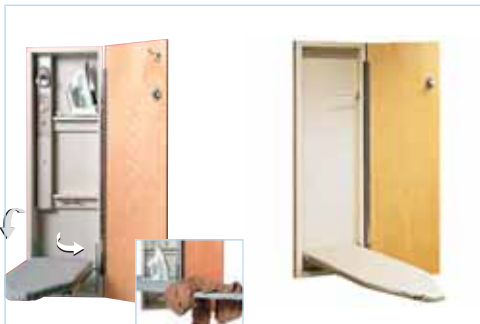
storage system for shoes

N° 704030 WxDxH
 142x142x247mm (5^{9/16}"x5^{9/16}"x9^{3/4}")



white waste basket, 5 litres

N° 350530 WxDxH 200x192x340mm (7^{7/8}"x7^{9/16}"x13^{3/8}")



built-in, rotatable ironing board, birch

N° E42 WxDxH
 381x200x1219mm (15"x7^{7/8}"x48")

wall-mounted ironing board

N° 421000 WxDxH
 381x76x1219mm (15"x3"x48")



tip-out clothes hamper, chrome

N° 4056140 WxDxH 238x285x420mm (9^{3/8}"x11^{1/4}"x16^{5/16}")
 N° 4058140 clothes hamper support



tip-out clothes hamper, white wire

N° 006930 WxDxH 324x355x457mm (12^{3/4}"x14"x18")
 N° 406030 clothes hamper support



pull-out clothes hamper, white polymer

N° 1925530 WxDxH 505x356x660mm (19^{7/8}"x14"x26")



Pull-out clothes hamper, white polymer

N° 1520030 WxDxH 362x508x489mm (14^{1/4}"x20"x19^{1/4}")



velvet-lined jewelry tray

- N° 21120190 WxDxH 557x323x50mm (22"x12^{1/16}"x2"), black
- N° 21120170 WxDxH 557x323x50mm (22"x12^{1/16}"x2"), blue
- N° 27120190 WxDxH 710x323x50mm (28"x12^{1/16}"x2"), black
- N° 27120170 WxDxH 710x323x50mm (28"x12^{1/16}"x2"), blue



partition holder for 6 mm (1/4") panels

- N° 0030130 H 76mm (3"), white
- N° 0030160 H 76mm (3"), brown
- N° 0050130 H 127mm (5"), white
- N° 0050160 H 127mm (5"), brown



suspended jewelry tray

- N° 21060690 WxDxH 552x165x35mm (21^{3/4}"x6^{1/2}"x1^{3/8}"), acrylic and black
- N° 21060870 WxDxH 552x165x35mm (21^{3/4}"x6^{1/2}"x1^{3/8}"), acrylic and blue
- N° 12060690 WxDxH 323x165x35mm (12^{1/16}"x6^{1/2}"x1^{3/8}"), acrylic and black
- N° 12060870 WxDxH 323x165x35mm (12^{1/16}"x6^{1/2}"x1^{3/8}"), acrylic and blue



clip-on vertical partition for shelves, clear acrylic

- N° 28120111 WxH 305x203mm (12"x8")
- N° 25120111 WxH 305x127mm (12"x5")
- N° 28140111 WxH 356x203mm (14"x8")
- N° 25140111 WxH 356x127mm (14"x5")



drawer partition, clear acrylic

- N° 14030111 WxH 355x76mm (14"x3")
- N° 18030111 WxH 457x76mm (18"x3")
- N° 14050111 WxH 355x127mm (14"x5")
- N° 18050111 WxH 457x127mm (18"x5")

DRAWER ACCESSORIES



jewelry compartments

- N° 11120190 WxDxH 557x323x50mm (22"x12^{1/16}"x2"), acrylic and black
- N° 11120270 WxDxH 557x323x50mm (22"x12^{1/16}"x2"), acrylic and blue
- N° 17120190 WxDxH 710x323x50mm (28"x12^{1/16}"x2"), acrylic and black
- N° 17120270 WxDxH 710x323x50mm (28"x12^{1/16}"x2"), acrylic and blue



*library ladder, unfinished oak
H 2718mm (107")
N° 2109106250 with roller
bracket
N° 2309106250 with hook
fixtures

N° 142729106 straight support
for 2109, silver finish
N° 142730106 curved support
for 2309, silver finish
N° 147810106 rail 3048mm
(120"), silver finish

*various wood species
available by special order



moveable ladder,
aluminum finish

N° 711510 H 2210mm (87")

N° 1265110 aluminum rail for
711510, 3m (118")

N° 1034210 end cap for
1265110 rail, grey

N° 86010 attachment for
1265110 top rail

LADDERS AND ACCESSORIES



folding step stool

WxH 405x395mm (16"x15^{9/16"})

N° 441230 white
N° 4412100 grey



bracket for kick plate folding
step stool 4412-XX, zinc

N° 144902G

wall support for folding step
stool 4412-XX, white

N° 1449330



mirror with aluminum frame, slides out and rotates

N° 131100195 WxH 300x1400mm (11^{13/16"}x55^{1/8"})



fluorescent lighting for closet rod

- N° 43010010 | fluorescent light 13W 609mm (24"), aluminium
- N° 43015010 | fluorescent light 21W 914mm (36"), aluminium



ultra-thin, economical T4 fluorescent light

- N° 77491530 | 8W 343mm (13^{1/2}"
- N° 77491930 | 12W 495mm (19^{1/2}"
- N° 77492130 | 16W 489mm (19^{1/2}"
- N° 77492330 | 20W 533mm (21")



movement detector for light with adjustable timer from 10 seconds to 5 minutes, white

N° 78130



LIGHTING

for a complete selection,
please refer to
our Lighting brochure



DOORS

Sliding door systems
Please refer to section 12 of our catalog for
more details.



CASTERS

for a complete selection,
please refer to
our Legs and Casters brochure



HANDLES

for a complete selection,
please refer to
our Collection brochure



HOOKS

for more selections,
please refer to
our Collection brochure



USA

DETROIT, MI

Tel. 1 800 619-5446
Fax 1 800 876-7454

ATLANTA, GA

Tel. 1 800 544-3827
Fax (770) 451-0346

BOSTON, MA

Tel. 1 800 619-5446
Fax (978) 664-0983

CHARLOTTE, NC

Tel. 1 866 552-7855
Fax (704) 599-2810

COLUMBUS, OH

Tel. 1 800 619-5446
Fax 1 800 876-7454

GREENVILLE, SC

Tel. 1 800 468-6165
Fax (864) 299-3404

NEW YORK, NY

Tel. 1 800 448-6721
Fax (718) 471-9202

PORTLAND, OR

Tel. 1 877 747-8021
Fax (503) 557-7150

SEATTLE, WA

Tel. 1 800 227-6846
Fax (253) 218-0365

CANADA

MONTRÉAL

Tel. 1 800 361-6000
Fax 1 800 363-0193

CALGARY

Tel. 1 800 361-6000
Fax 1 800 890-4139

EDMONTON

Tel. 1 800 361-6000
Fax 1 800 387-2919

KELOWNA

Tel. 1 800 361-6000
Fax 1 800 387-2919

HALIFAX

Tel. (902) 468-2324
Fax (902) 468-2478

LAVAL

Tel. 1 800 361-7714
Fax (450) 687-8477

LONGUEUIL

Tel. 1 866 355-7796
Fax (450) 674-7223

MISSISSAUGA

Tel. 1 800 387-9505
Fax 1 800 387-2919

MONCTON

Tel. 1 800 561-8897
Fax 1 888 287-7411

OTTAWA

Tel. 1 800 361-6000
Fax 1 800 363-0193

QUÉBEC

Tel. 1 800 463-5088
Fax (418) 871-4216

RÉGINA

Tel. 1 800 667-9713
Fax 1 800 575-2360

SASKATOON

Tel. 1 800 667-9713
Fax 1 800 575-2360

SUDBURY

Tel. 1 888 413-6885
Fax 1 888 413-6874

THUNDER BAY

Tel. 1 800 465-3924
Fax 1 800 892-5416

VANCOUVER

Tel. 1 800 274-4781
Fax (604) 278-0639

VICTORIA

Tel. 1 800 565-0795
Fax (250) 361-1371

WINNIPEG

Tel. 1 800 361-6000
Fax (204) 694-5551

HEAD OFFICE

7900 West, Henri-Bourassa Blvd.
Montreal, QC, H4S 1V4

To order (Canada)

tel. 1 800 361-6000 fax 1 800 363-0193
richelieu.com

Richelieu